

CASTLOADERS

CAST 23T

Engine Kubota D902
Speed 6,21 mph
Hydrostatic transmission 4WD
Electric deff. lock
Water cooling
Joystick 10 functions
Metal hood and rear hood

"Universal" coupling plate
12V power outlet: standard
Ergonomic seat with belts: standard
Rops/fops protection: standard
Telescopic boom: standard
Turf wheels: 23x10.50-12
Weight: 2645 lbs

CAST 28T

Engine Kubota D1105
Speed 7,46 mph
Hydrostatic transmission 4WD
Electric deff. lock
Water cooling
Joystick 10 functions
Metal hood and rear hood

LED working lights (2 on the front+1 on the back)
"Universal" coupling plate
12V power outlet
Ergonomic seat with belts
Rops/fops protection
Telescopic boom
Turf wheels 24x13.00-12
Weight 2755 lbs

CAST 33TLX

Engine Kubota D1305
Speed 9,94 mph
Hydrostatic transmission 4WD
Electric deff. lock
Water cooling
Joystick 10 functions
Metal hood and rear hood
Self levelling
High power wheel motor MTK

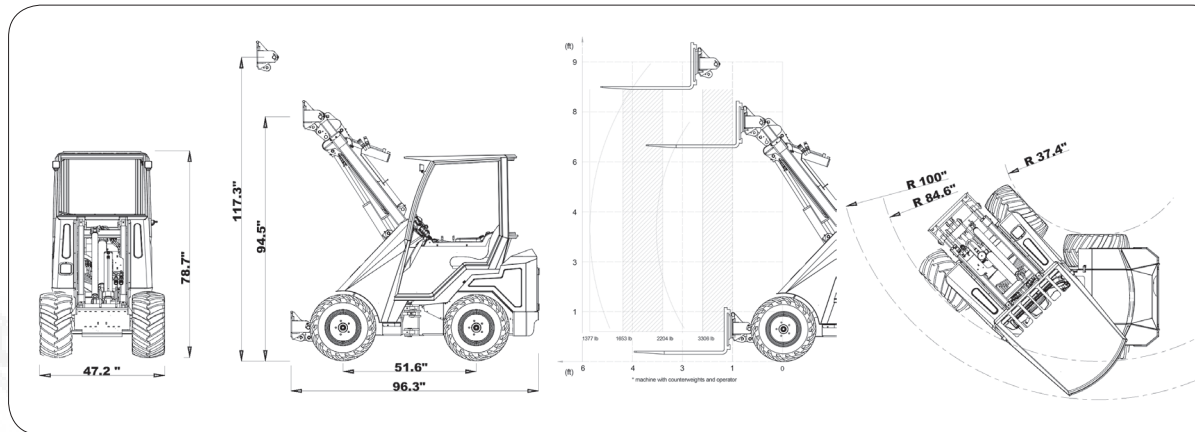
LED working lights (2 on the front+1 on the back)
"Universal" coupling plate
12 V power outlet + front auxiliary electric outlet (165W)
Ergonomic seat with head and armrest+security belts
Rops/fops protection
Telescopic boom
209 lbs integrated counterweights
Turf 24x13.00-12
Weight 2866 lbs

CARBON LINE PACKAGE (FOR CAST 33TLX)

Carbon Look dashboard
Joystick 10 functions: ergonomics and design
Heated comfort seat
Integrated counterweights 209 lbs
High power wheel motor MTK
Special finishes with "sablé" paint
New layout
Turf 26,5x14.00-12

30 SERIES

CHARTS



WHEELS

SKID
23X8.50-12
23X10.50-12
26X12.00-12



TRACTOR
23X8.50-12
23X10.50-12
26X12.00-12



GARDEN
23X8.50-12
23X10.50-12
24X13.00-12
26X12.00-12
26.5X14.00-12



OPTIONAL WHEELS FOR CAST 33TLX
Turf 26,5x14.00-12

30 SERIES MODELS

	HYDRAULIC CAPACITY	ENGINE POWER	HYDRAULIC SYSTEM	BOOM HEIGHT
CAST 23T	2095 lbs (with counterweights)	23 Hp	8 gal/min	117,3 in
CAST 28T	2095 lbs (with counterweights)	25 Hp	11 gal/min	117,3 in
CAST 33TLX	2095 lbs (with counterweights)	25 Hp	13 gal/min	117,3 in



CASTGROUP

TNE Distributing

PLYMOUTH, MN 55442

1-833-BUY-CAST

www.tnedistributing.com
info@tnedistributing.com

LEAF_30SERIES_ENGLISH_100018

Data contained in this document is subject to change without notice and/or notification. Cast Group reserves the right to modify its products without obligation to communications. The images in this document are only a demonstrative purpose.

CASTLOADERS
30 SERIES



www.castloaders.it



30 Series is compactness. With its 96,3 inches in length, 47,2 inches in width and 78,7 inches in height, it is able to access the narrowest rooms and it is easily transportable.



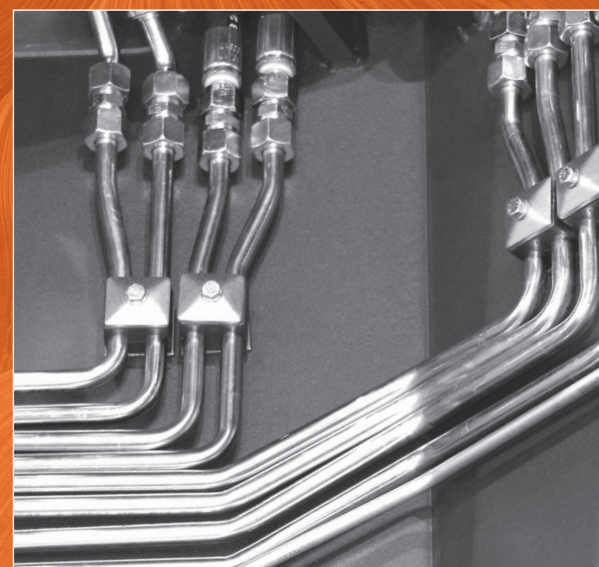
The Carbon Line series is characterized by the "Carbon-Look" finishing of the dashboard which give the machine greater sportiness and more aggressive configuration. The latest-generation 10-function new ergonomic joystick is standard on Carbon line model.



Details make the difference.

30 SERIES RPS

RPS (Rigid Pipe System) is the hydraulic piping distribution system used on the whole 30 Series. The rigid pipes are made of the highest quality materials and guarantee an extraordinary resistance to wear and tear. They are arranged in an orderly manner and are easily accessible for maintenance.



Electronic display with warning lights indicating faults, engine, hydraulic oil gauge, and electric floating system.



10 functions joystick is standard on all models.



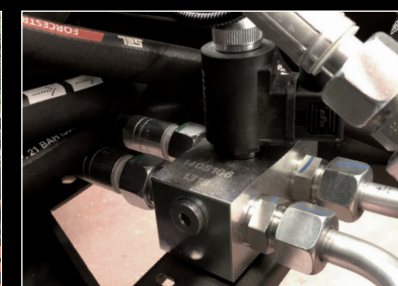
Maximum speed 9,94 mph (LX model).



Double-pump for a better performance, operating speed, comfort and fluidity of use.



Telescopic boom height of 117,3in, the highest of its line. Standard on all models.



Electric differential lock is standard on all models.



Series 30 Castloaders represents technology and innovation in the field of multifunctional loaders. Technical features make the difference and stand out to the advantage of improved performance, easiness of use and reduced maintenance.

The new rear hydraulic outlets are easily accessible. There is the possibility to add the hydraulic flow divider, typical of big municipal machinery, which allows to work simultaneously with front and rear equipment.

The controls of the hydraulic pumps are at hand and well arranged.

Up to 13 gal of oil are available for the functioning of hydraulic equipment, mulchers, lawnmowers, bigger tillers.

CASTLOADERS



A wide range of accessories is available for the models of 30 Series to meet the multiple needs in the agriculture, farming, forestry, construction and gardening sectors.



Insulated and heated cabin, for a comfortable and safe driving in all conditions.



30 SERIES